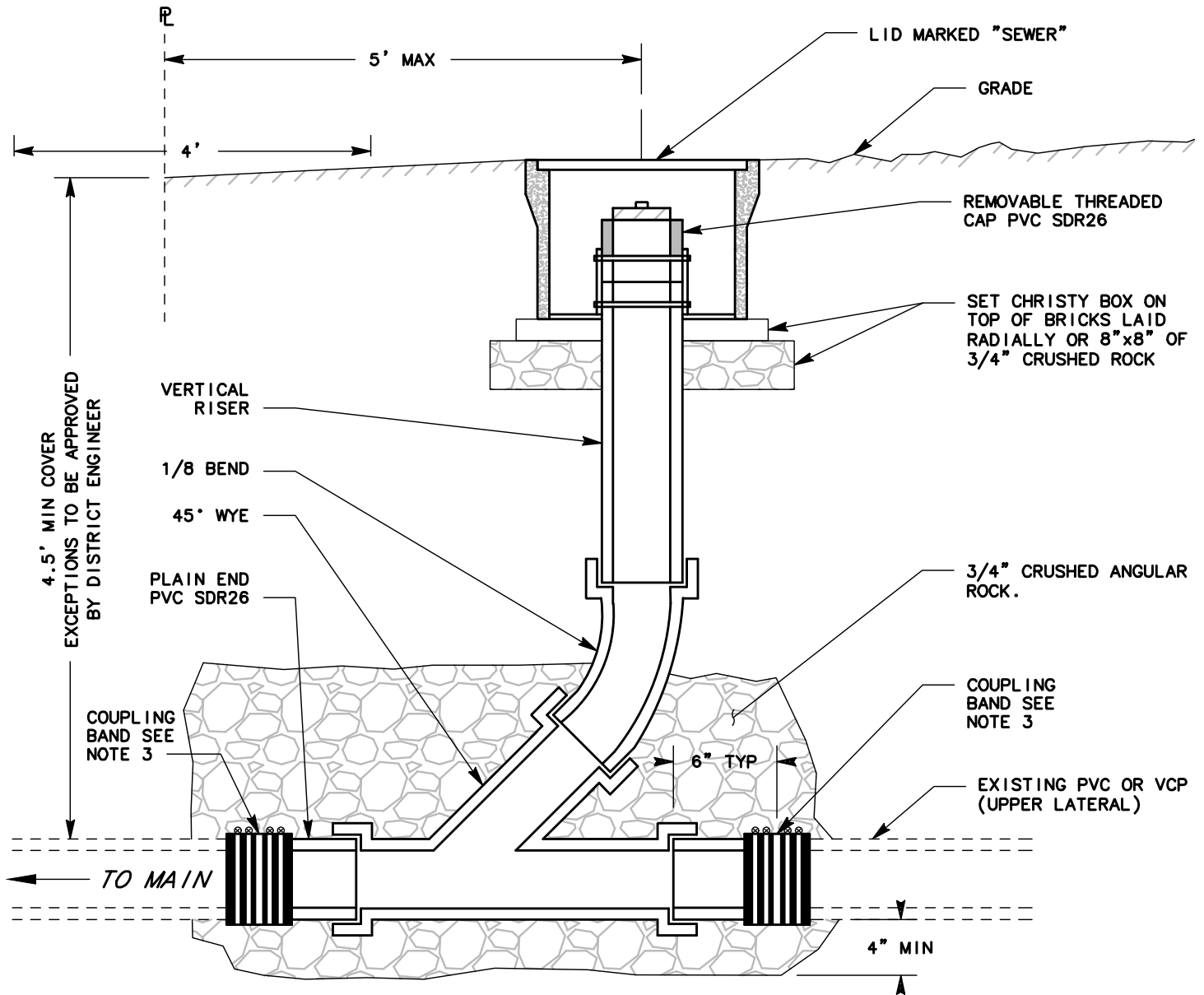




COUNTY SANITATION DISTRICT NO. 2-3



NOTES:

1. ALL PIPING AND FITTINGS SHALL BE PVC SDR26.
2. CLEANOUT BOX SHALL BE OLDCASTLE PRECAST F08 WITH F08C FOR NON-TRAFFIC AREA AND G05T WITH G05CT IN TRAFFIC AREA OR APPROVED EQUAL.
3. CONNECTION TO LOWER SANITARY SEWER LATERAL
 - A. EXISTING LATERAL- MAKE CONNECTION TO EXISTING LATERAL IN GOOD CONDITION AS DETERMINED BY THE ENGINEER WITH MISSION CLAY "ARC SHIELDED", FERNCO "SHEAR RING COUPLING" OR APPROVED EQUAL.
 - B. NEW LATERAL- SEE DETAIL 6 FOR LOWER LATERAL. CONNECT LATERAL WYE DIRECTLY TO LOWER LATERAL
4. CLEANOUT, ONCE INSTALLED AND APPROVED BY THE DISTRICT, BECOMES PRIVATELY OWNED AND MAINTAINED BY PROPERTY OWNER.

PROPERTY LINE CLEANOUT

DETAIL **7**

DR. BY: ED
DATE: 06/01/2020

CK. BY: FQ
DATE: 06/01/2020

APPROVED. BY:

DATE: 06/01/2020